

JET

22-44 PLUS DRUM SANDER with SandSmart

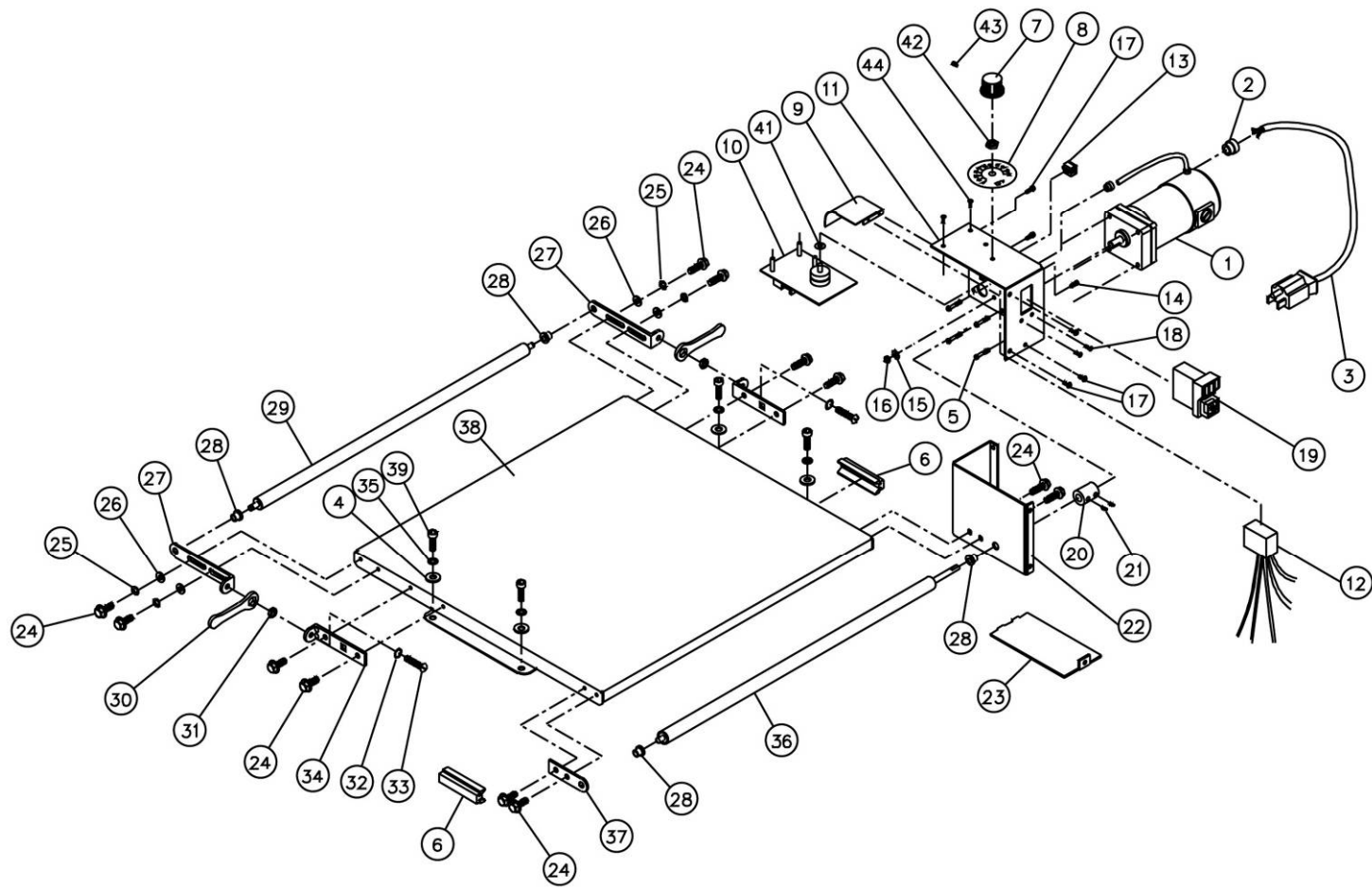
**649003KM
230/50/1**

PARTS LIST

Walter Meier (Tool) AG
Tämperlistrasse 5
8603 Schwerzenbach
Switzerland
Phone +41 44 806 47 48
Fax +41 44 806 47 58
jetinfo.eu@waltermeier.com
www.jettools.com



P-649003KM 2010/05/18

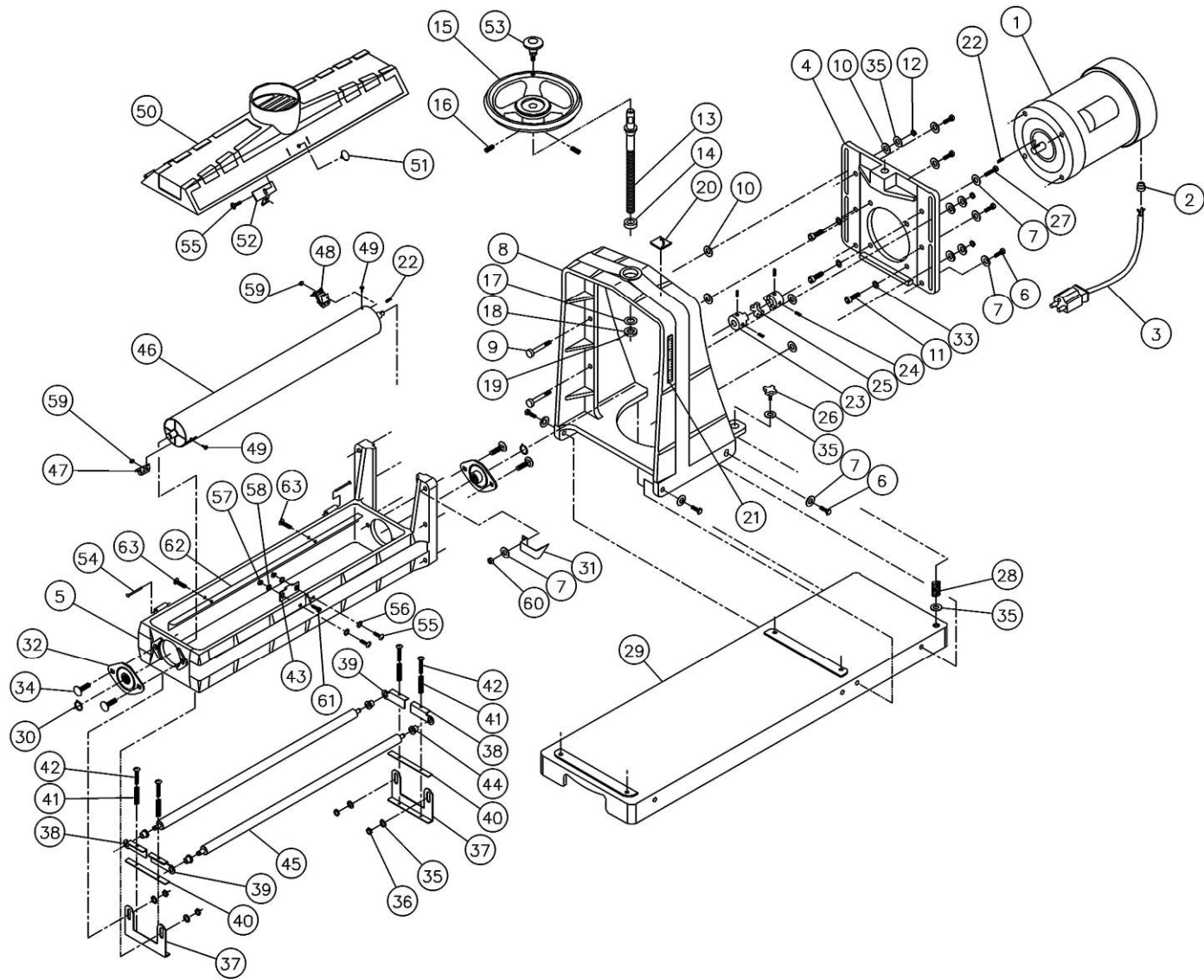


Conveyor And Motor Assembly

Parts List For The Performax 22-44 Plus

Conveyor And Motor Assembly

Index	Part			
No.	No.	Description	Size	Qty.
1	71-1400E	Gear Motor	180 Volt DC	1
	FP-93S2	Carbon brush for feed motor		2
2	72-6014E	Strain Relief		1
3	72-5336E	Cord Set		1
4	TS-0680031	Flat Washer	5/16	4
5	10-4010-08	Socket Head Cap Screw	#10-32x1/2"	4
6	98-0080	Tracker Kit		2
7	72-2250-01	Knob		1
8	72-2250-02	Label, Speed Adjusting		1
9	40-4018	Guard, wiring		1
10	72-2250E	SandSmart Controller 230V		1
11	40-4904	Bracket, Housing- Controller		1
12	2244PLUS-112	EMC, in Control Housing		1
13	72-2111-02E	Receptacle		1
14	TS-081D022	Pan Head Machine Screw	#10-32x1/2"	1
15	TS-073203	Washer, Lock. Int.-Tooth Washer	#10	1
16	TS-0560081	Hex Nut	#10-32	1
17	10-9002	Screw, Hex Head-Slotted	#10-32x1/2"	5
18	10-3103	Screw, Phil Pan Head	#6-32x1/2	2
19	72-2004E	Switch, ON/OFF-Drum		1
20	30-0122	Coupler, Shaft		1
21	10-4010-04	Set Screw	1/4-20x1/4"	2
22	40-4903	Bracket, Base- Controller		1
23	40-4022W	Cover, Base-Control Housing		1
24	10-4004-12	Bolt, Hex Washer Head	1/4-20x3/4"	12
25	20-1161-01	Washer, Wave	1/4"	4
26	11-1002-04	Flat Washer	1/4"	4
27	40-0003	Bracket, Take Up-Slide		2
28	50-3105	Bushing, Oilite 5/16" I.D.		4
29	30-3010-10	Roller, Driven		1
30	40-0260	Wrench		2
31	12-2000-04	Hex Nut	1/4-20	2
32	11-1000-04	Washer, Lock-Int Tooth	1/4"	2
33	10-4007-24	Screw, Round Head- Slotted	1/4-20x1 3/4"	2
34	40-4004	Bracket, Take Up-Base		2
35	TS-0720081	Lock Washer	5/16	4
36	30-3010-11	Roller, Driven-Rubber Covered		1
37	40-0005	Bracket, Support-Drive Roller		1
38	40-4010-01	Bed, Conveyor		1
	60-0322-P	Conveyor belt		1
39	TS-0208041	Socket Head Cap Screw	5/16-18x3/4"	4
40	60-0322-P	Belt Conveyor (Not Shown)		1
41	72-2250-03	Washer, Flat	5/16	1
42	72-2250-04	Nut, Hex	5/16-24	1
43	72-2250-05	Slotted Set Screw	#8-36UNFx5/16	1
44	20-0777	Pan Head Self-Tapping Screw	5/32x1/2	1



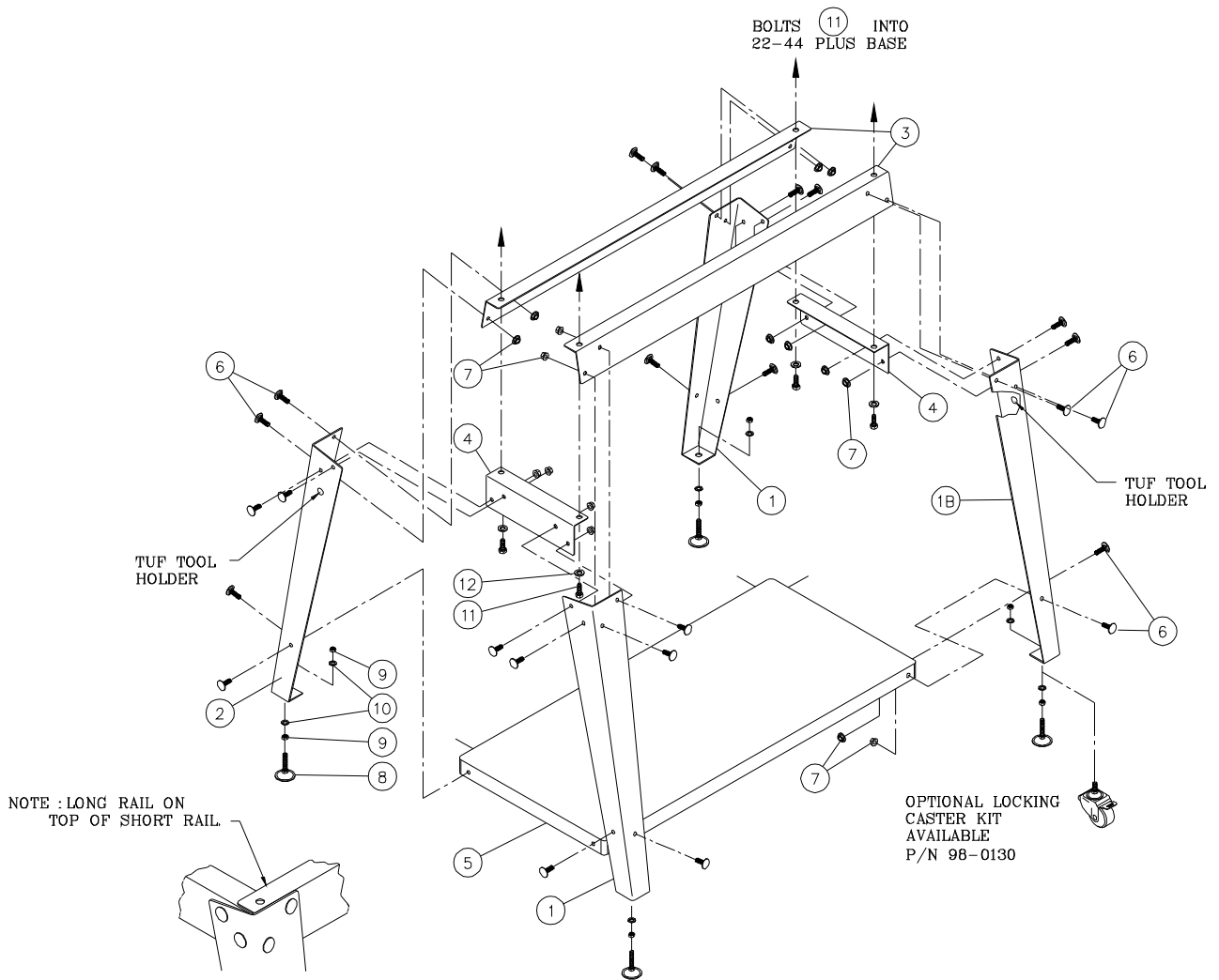
Drum Head Assembly

Drum Head Assembly

Index No.	Part No.	Description	Size	Qty.
1	70-4102E	Motor, 1-3/4 HP, 230 Volt w/Cord		1
2	72-6104E	Strain Relief		1
3	72-5345E	Cord, Motor To Control Box		1
4	30-9025	Slide, Motor Mount		1
5	30-9024E	Carriage, Drum		1
6	TS-0060061	Screw, Hex Head Cap	3/8-16x1 1/4"	9
7	TS-0680041	Washer, Flat	3/8"	11
8	30-9023	Shroud		1
9	30-9026	Stud	5/16-24x1 3/4"	4
10	50-3090-01	Washer, Oilite 5/16" I.D.		8
11	TS-0209061	Screw, Socket Head Cap	3/8-16x1 1/4"	4
12	12-2003-05	Nut, Hex, Lock Nylon Insert	5/16-24	4
13	30-9027	Screw, Height Adjustment	5/8-18UNC	1
14	50-9000	Bearing, Thrust	51103	1
15	30-9028	Handle-Wheel, Height adjustment		1
16	TS-0270051	Set Screw	5/16-18x1/2"	2
17	80-2324	Washer, Flat-Nylon	5/8" I.D.	1
18	20-1180-02	Collar, Locking Shaft		1
19	10-4020-04	Screw, Set Socket Head (Collar)	5/16-18x1/4"	2
20	94-1668E	Label, Height-Direction		1
21	94-2270E	Label, Depth Gauge		1
22	20-0762-02	Key	3/16 SQ x3/4"	2
23	50-2207	Coupling		2
24	10-4010-04	Set Screw	1/4-20x1/4"	4
25	50-2209	Spider, Coupling		1
26	80-3138	Knob, Fine Tune Adjustment		1
27	TS-0060081	Hex Head Cap Screw	3/8-16x1 3/4"	1
28	20-3216	Spring		1
29	30-9022	Base, Conveyor Mounting		1
30	20-0778	Retaining Ring	STW25	2
31	40-3169	Pointer, Depth Gauge		1
32	50-3089	Bearing, Drum	NTN 6205	2
33	TS-0720091	Washer, Lock	3/8"	4
34	10-1205	Bolt Carriage Head	5/16-18x1"	4
35	11-0206	Washer, Lock	5/16"	9
36	12-2000-05	Hex Nut	5/16-18	5
37	40-0304	Bracket, Tension Roller		2
38	40-0308-01	Bracket, Right-Tension Roller		2
39	40-0308-02	Bracket, Left-Tension Roller		2
40	80-1060	Pad, Bracket-Tension Roller		2
41	20-3211	Spring, Tension Roller		4
42	10-4008-16	Screw, Fillister Head-Phillips	#8-32x1"	4
43	40-3166	Catch, Dust Cover		1
44	50-3105	Bushing, Oilite 5/16" I.D.		4
45	30-3051-06	Roller, Tension		2
46	30-3002	Drum, Sanding		1
47	21-1173	Fastener, Abrasive-Outboard		1
48	21-1172	Fastener, Abrasive-Inboard		1
49	10-3003	Screw, Flat Head-Phillips	6-32x3/8"	2
50	80-2003E	Cover, Dust		1
51	80-3137	Knob, Dust Cover		1
52	40-3168E	Latch, Dust Cover		1
53	2244PLUS-253	Knob		1
54	2244PLUS-254	Pin, Hinge	#3x80	2
55	2244PLUS-255	Pan Head Machine Screw	1/4-20x3/4"	3

Index No.	Part No.	Description	Size	Qty.
56	11-1000-04	Washer, Lock-Int. Tooth	1/4"	2
57	12-2000-04	Hex Nut	1/4-20	2
58	11-1002-04	Flat Washer	1/4	2
59	12-9001	Hex Nut, Nylon Insert Lock	#6-32	2
60	2244PLUS-260	Hex Nut	3/8-16	1
61	2244PLUS-261	Hex Head Cap Screw	1/4-20x1"	1
62	2244PLUS-262	Rail, In The Carriage		1
63	2244PLUS-263	Pan Head Screw	1/4-20x5/8"	2

Parts Breakdown for the 22-44 Plus Open Stand



Part List for the 22-44 Plus Open Stand

Index No.	Part No.	Description	Size	Qty.
1	2244PLUS-301	Leg, Left		2
2	2244PLUS-302	Leg, Right (with TUF tool holder)		2
3	2244PLUS-303	Rail, Long		2
4	2244PLUS-304	Rail, Short		2
5	2244PLUS-305	Shelf	1	1
6	2244PLUS-306	Carriage Bolt	5/16-18x5/8"	24
7	2244PLUS-307	Nut, Flanged Lock	5/16"	24
8	2244PLUS-308	Leveling Foot		4
9	TS-0561031	Hex Nut	3/8"-16	8
10	TS-0680041	Flat Washer	3/8	8
11	TS-0060051	Hex Head Cap Screw	3/8-16x1"	4
12	TS-0680041	Flat Washer	3/8	4

